

Kitchen & Vanity Accessories



Inspired Living



Reinvent your kitchen into an elegant, functional area

Given the amount of time you spend in the kitchen, as most all of us do, you will very likely appreciate having a few accessories to make your life easier. After all, everyone wants a more functional and efficient kitchen space. Ask your local dealer for more details.

CONTENT

Wall Accessories	4
Base Accessories - Drawer Inserts	6
Base Accessories - Pull-Out Inserts	12
Base Accessories - Garbage/Recycling	16
Base Accessories - Under Sink Solutions	21
Base Accessories - Blind Corner Solutions	22
Base Accessories - Corner Solutions	24
Base Accessories - Other	25
Tall Accessories	26
Vanity Accessories - Hamper	28
Vanity Accessories - Other	30







WALL ACCESSORIES

WALL PULL-OUT WITH SOFT-CLOSE

This solid wood pull-out system with soft close. 2 shelves are adjustable and allow you to create up to four storage surfaces, maximizing your available space.

- Soft-Close
- Load capacity: 100 lb (45 kg)
- Finish: Maple
- 26-1/4" in height

Code	Fits Cabinet
WP009	W0930 to W0942
WP012	W1230 to W1242



WALL FILLER PULL-OUT WITH SOFT-CLOSE

This filler creates functional storage space in the narrow space between two cabinets. Made of wood, it features adjustable shelves with chrome rails.

- Soft-Close
- Load capacity: 100 lb (45 kg)
- Finish: Maple

Code 3" Wide	# of adj. shelves	Code 6" Wide	# of adj. shelves
WFSP00330	3	WFSP00630	3
WFSP00333	4	WFSP00633	4
WFSP00336	4	WFSP00636	4
WFSP00339	4	WFSP00642	5
WFSP00342	5		



WALL PULL-DOWN SHELF

- Brings item down 11-1/2" and out of cabinet 16-3/4"
- Locks in the down position for hands-free use
- Perfect for taller cabinets or for multiple cabinets
- Gray/Chrome
- Requires 21" minimum cabinet height

Code	Load cap.	Fits Cabinet
WPD24	17 lb (8 kg)	W 24" x 21" H min.
WPD36	26 lb (12 kg)	W 36" x 21" H min.

WALL ACCESSORIES



WOOD FULL ROUND SUPER SUSAN TRAYS

- 18" diameter round swivelling trays is ideal for storing pots, food, plates, cup and more.
- Each tray mounted on bearings that turn separately for easy access.
- Finish: Maple
- Made out of plywood 1/2" with 1" maple trim.
- Trays are covered with a clear coat for durability and wear resistance.
- 75 lb (34 kg) load capacity per tray.

Code	Fits Cabinet	# tray units
RSSW18	DW24	2



POLYMER FULL ROUND TRAYS

- 18" diameter round tray made out of durable polymer.
- Trays pivot independently for easy access.
- Easy to clean.
- 30 lb (14 kg) load capacity per tray.

Code	Fits Cabinet	# tray units
RLSW1830	DW2430	2
RLSW1842	DW2442	3



FIXED SHELVES DOOR MOUNT SPICE RACK

- Attached to door
- 3-1/4" deep. Adjustable shelves will be recessed.
- 2-1/2" diameter x 4-1/2" high spice bottles will fit.
- Finish: Maple

Code	# of adj. shelves	Code	# of adj. shelves	Code	# of adj. shelves
WSR1530	4	WSR1536	5	WSR1542	6
WSR1830	4	WSR1836	5	WSR1842	6
WSR2130	4	WSR2136	5	WSR2142	6



WINE GLASS HOLDER

- 12" deep.
- Maple only.
- Mounted to the bottom of the wall cabinet.
- Finish to match exterior of cabinet.

Code	Fits Cabinet	# of rows
WGH30	W30	7
WGH36	W36	8

BASE - DRAWER INSERTS



POLYMER CUTLERY TRAY

These trays are designed with a wide rim that can be trimmed easily for a perfect fit inside your drawer.

- Fits in cabinet depth 22" to 24"

White	Dark Gray	Fits Cabinet
PWCT12	PGCT12	B12
PWCT15	PGCT15	B15
PWCT18	PGCT18	B18
PWCT21	PGCT21	B21
PWCT24	PGCT24	B24
PWCT27	PGCT27	B27
PWCT30	PGCT30	B30
PWCT36	PGCT36	B36



PGCT12



PGCT15



PGCT21



PGCT30



PGCT36



POLYMER MULTI-PURPOSE TRAYS

- Interior depth required: 7-7/8" to 21-1/4"
- Fits in cabinet depth 22" to 24"

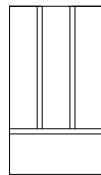
White	Dark Gray	Fits Cabinet
PWMPT15	PGMPT15	B15-B18
PWMPT21	PGMPT21	B21
PWMPT24	PGMPT24	B24



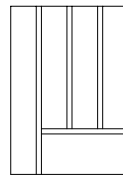
WOOD CUTLERY TRAYS

- Removable Maple Natural finish tray to fit drawer.
- 5/8" thick dividers
- Fits in cabinet depth 22" to 24"

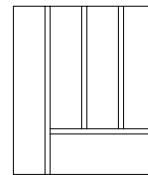
Code	Fits Cabinet	Code	Fits Cabinet
WCT15	B15	WCT21	B21
WCT18	B18	WCT24	B24



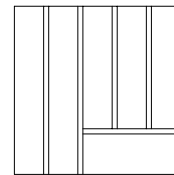
WCT15



WCT18



WCT21



WCT24

BASE - DRAWER INSERTS

STRAIGHTLINE WOOD CUTLERY TRAYS

Offering the perfect balance of functionality and design, this set of drawer accessories features clean and contemporary lines and optimally arranged components. Within minutes, you can organize all the contents of your drawer perfectly for a clear overview and easy access.

- Fits in cabinet depth 22" to 24"

Birch	Walnut	Fits Cabinet
WBCT15	WWCT15	B15-B18
WBCT21	WWCT21	B21-B24
WBCT27	WWCT27	B27-B30
WBCT33	WWCT33	B33-B36



WBCT15



WBCT21



WBCT27



WBCT33



POLYMER DOUBLE CUTLERY TRAYS

Set of two cutlery trays with a sliding top tray

- The top tray lets you make the most of your storage space
- The top tray slides up to 11-1/2" into the cabinet when the drawer is open
- Fits in cabinet depth 22" to 24"

White	Silver Gray	Fits Cabinet
PWDCT15	PGDCT15	B15
PWDCT18	PGDCT18	B18
PWDCT21	PGDCT21	B21
PWDCT24	PGDCT24	B24



BASE - DRAWER INSERTS



WDCT15

WDCT18



WDCT21



WDCT24



WDCT30



WDCT36

WOOD DOUBLE CUTLERY TRAYS

Complete 2 tiered wood drawer for cutlery and utensils for frameless cabinets.

- The upper tray slides into the cabinet to give an immediate access to the bottom tray
- With slides and Soft-Close mechanism
- Fits in cabinet depth 24"

Code	Fits Cabinet
WDCT15	B15
WDCT18	B18
WDCT21	B21
WDCT24	B24
WDCT30	B30
WDCT36	B36



POLYMER SPICE TRAYS

Easy-to-maintain finish. Cut to fit your drawer's dimensions. Graduated shape lets you see all of your spices at a glance.

- Fits in cabinet depth 20" to 24"
- Only available in metabox drawers.

White	Orion Gray	Fits Cabinet
PWSD12	PGSD12	B12 - B18
PWSD21	PGSD12	B21 - B27
PWSD30	PGSD12	B30 - B36



WOOD SPICE TRAY

Wood spice divider made of natural maple.

- Fits into cabinets depth 22" to 24"
- Offers three rows for storing spices as well as a back compartment

Code	Fits Cabinet	Code	Fits Cabinet
WST15	B15	WST27	B27
WST18	B18	WST30	B30
WST21	B21	WST33	B33
WST24	B24	WST36	B36

BASE - DRAWER INSERTS

WOOD KNIFE BLOCK DRAWER INSERT

Knife insert can be trimmed for a custom fit in almost any drawer. Providing 19 slots to store knives and a separate compartment for other utensils.

- Fits in cabinet depth 22" to 24"

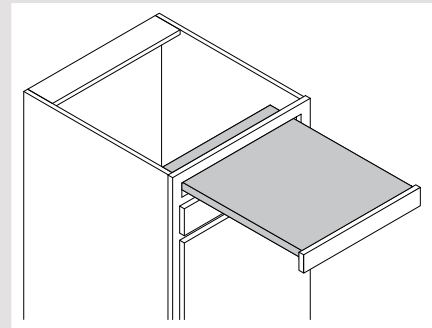
Code	Finish
WMKB21	Maple
WWKB21	Walnut



CUTTING BOARD

Installed above top drawer with a drawer front 2" high. Top drawer would be reduced to 3-3/4" high. Unfinished 3/4" solid maple on full extension rails.

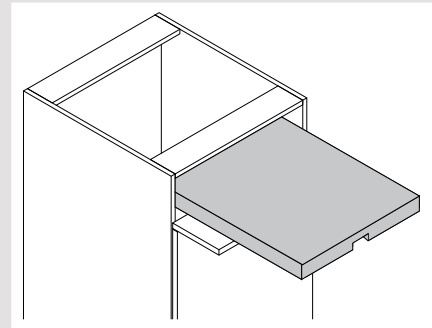
Code	Fits Cabinets
POCB	B18-B24



BUTCHER BLOCK

Installed behind a tilt down drawer front of a base cabinet. 1-1/2" thick unfinished solid maple on full extension side rails.

Code	Fits Cabinets
POBBCB	B18-B24



CUTTING BOARD DRAWER

This unit replaces your entire existing drawer. The reversible wood cutting board has a unique cut-out and easy-to-clean funnel insert that allows you to conveniently discard scraps directly into a waste container (waste container sold separately).

- 110 lb (50 kg) full-extension BLUMOTION slides with Soft-Close mechanism

Code	Fits Cabinet
CTBD	B18

BASE - DRAWER INSERTS



WOOD DRAWER DIVIDERS

Drawer divider for utensils.
Vertical partition inside dovetail drawer.

Code

WWDDFB

MELAMINE DRAWER DIVIDERS

Drawer divider for utensils.
Vertical partition inside metabox, melamine or legrabox drawer.

Code

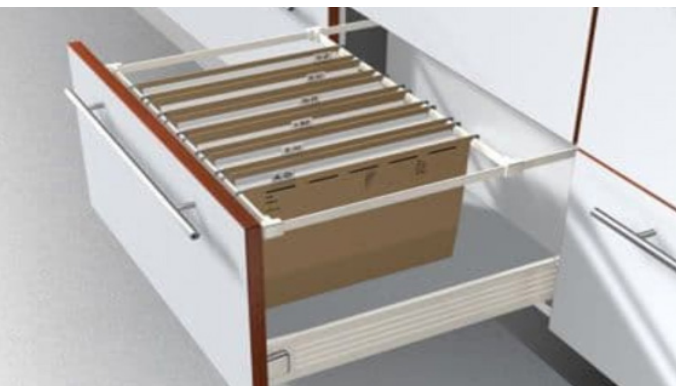
WMDDFB



WOOD PEG BOARD

- Perfect for dishes or other platters
- Fits in cabinets 24" deep maximum
- Maple Natural finish

Code	Fits Cabinet
WPB21	B21 - B27
WPB30	B28 - B33
WPB36	B34 - B42



FILE DRAWER

File drawer unit with hanging file system.

- Minimum drawer front height of 11-3/4" is needed .

Code

FILED



DOCKING DRAWER

Power your electrical kitchen accessories, hair dryer, or use it as a charging station for your nightstands, office desk, bars, etc.

Code	Fits Cabinet
DD15A	B18-B36

This product has the certifications required for use in the USA and Canada, and is equipped with a blocking thermostat that de-energizes the outlet if the ambient temperature exceeds 120°C. For Canada, a safety interlock box is required when AC outlets are present.

DOCKING DRAWER SAFETY INTERLOCK OUTLET

15 amp Safety Interlock Outlet is a single gang electrical outlet featuring one NEMA 5-15 receptacle and one interlock switch connector.

- A limit switch will detect the drawer position and will deenergize the outlet when the drawer starts to close.
- ETL listed for use in the US and Canada and satisfies requirements of the Canadian Electrical code.

Code

DDSI





BASE - PULL-OUT INSERTS

BASE FILLER SPICE PULL-OUT

- Soft-Close
- Turns waste space into useful one.
- Finish: Maple

Code	Fits Cabinet
BFSP03	BFSP03
BFSP06	BFSP06



BASE FILLER TOWEL BAR PULL-OUT

- Soft-Close
- Full extension for complete access.
- Wire baskets with plastic bottoms that hold up to standard cleaning products.
- Finish: Maple

Code	Fits Cabinet
BFPTB03	BFPTB03
BFPTB06	BFPTB06



WOOD STORAGE BASE PULL-OUT

- Soft-Close
- Superior quality full extension Blum sliding system.
- 3 adjustable shelves.
- 125 lb (57 kg) load capacity.
- Finish: Maple

Code	Fits Cabinet
BPOSW07	B07FHD
BPOSW09	B09FHD
BPOSW12	B12FHD
BPOSW15	B15FHD



BASE - PULL-OUT INSERTS

WIRE STORAGE BASE PULL-OUT

Full-extension slides provide a complete view of, and optimal access to stored items.

- Soft-Close
- Door-mount application
- Minimum cabinet depth required: 22-1/2"
- 60 lb (28 kg) load capacity.

Gray/Chrome	Maple/Chrome	Fits Cabinet
BPOWG06	BPOWM06	B06
BPOWG09	BPOWM09	B09
BPOWG12	BPOWM12	B12
BPOWG15	BPOWM15	B15



FIORO BASE PULL-OUT

The perfect solution for narrow base cabinet. Lateral mounting provides excellent stability thanks to the sturdy frame.

- Soft-Close
- 6" to 9" as 33 lb (15 kg) load capacity.
- 12" as a 44 lb (20 kg) load capacity.
- Finish: Oak Natural / Grey

Code	Fits Cabinet
BPOF06	B06
BPOFTB06	B06FHD
BPOF09	B09
BPOF12	B12



WOOD PULL-OUT UTENSIL BINS

Beautiful base organizer feature adjustable shelves with chrome rails. Specifically designed for storing multitude of utensils.

- Soft-Close
- 135 lb (61 kg) load capacity
- Finish: Maple

Code	Fits Cabinet
BPOUW07	B07FHD
BPOUW09	B09FHD
BPOUW12	B12FHD
BPOUW15	B15FHD



BASE - PULL-OUT INSERTS

WIRE PULL-OUT UTENSIL BINS

Elegant design with clean lines, modern chrome accents, and your choice of grey or maple shelving surfaces.

- Soft-Close
- 110 lb (50 kg) load capacity.

Gray/Chrome	Maple/Chrome	Fits Cabinet
BPOUWG09	BPOUWM09	B09FHD
BPOUWG12	BPOUWM12	B12FHD



WOOD PULL-OUT UTENSIL BINS AND KNIVES

Features universal knife inserts, stainless steel bin(s), a space to store flexible cutting boards and an adjustable shelf for lower storage.

- Soft-Close
- Easy to clean, removable stainless steel utensil bin and inserts.
- B07FHD to B12FHD as 1 utensil bin and B15FHD as 2 utensil bins.
- 135 lb (61 kg) load capacity.

Code	Fits Cabinet
BPOKUW07	B07FHD
BPOKUW09	B09FHD
BPOKUW12	B12FHD
BPOKUW15	B15FHD



WIRE PULL-OUT UTENSIL BINS AND KNIVES

Elegant knife block pullout. Two-tier base organizer with a knife block and bin(s) on top and a shelf at the bottom.

- Soft-Close
- 110 lb (50 kg) load capacity.
- Knife inserts feature adjustable and flexible rods to store a multitude of knives.

Gray/Chrome	Maple/Chrome	Fits Cabinet
BPOKUWG09	BPOKUWM09	B09FHD
BPOKUWG12	BPOKUWM12	B12FHD
BPOKUWG15	BPOKUWM15	B15FHD

BASE - PULL-OUT INSERTS

WIRE MULTI PURPOSE PULL-OUT

Ideal in the preparation and cooking zone.

- Soft-Close
- Bottom-mount, full extension pull-out gives you access to everything at your fingertips.
- All plastic elements are removable and washable (dishwasher safe).
- Finish: Chrome / Grey
- 36 lb (16 kg) load capacity.

Code	Fits Cabinet
BPOC12	B12FHD



WOOD PAPER TOWEL PULLOUT

- Soft-Close
- Features two compartments and a paper towel holder.
- 135 lb (61 kg) load capacity.
- Finish: Maple

Code	Fits Cabinet
BPOPT09	B09FHD
BPOPT12	B12FHD



WOOD TRAY DIVIDER PULL-OUT

Pull-out organizer with two compartments for storing baking sheets and platters. Removable center racks give you the option of storing larger platters and bakeware.

- Soft-Close
- Minimum cabinet depth required: 22-1/2"
- 100 lb (45 kg) load capacity.
- Finish: Maple

Code	Fits Cabinet
BPOTD09	B09
BPOTD12	B12



BASE - PULL-OUT INSERTS



WIRE TRAY DIVIDER PULL-OUT

This base pull-out is great for storing cooking sheets and cutting boards.

- Soft-Close
- Adjustable in height.
- Finish: Silver Gray
- 60 lb (28 kg) load capacity.

Code	Fits Cabinet
BP0TD206	B06FHD
BP0TD209	B09FHD



FOOD STORAGE CONTAINER ORGANIZER

Ideal solution for storage. Find the right container and its respective lid quickly and easily.

- 100 lb (45 kg) load capacity.
- Soft-Close
- Finish: Maple

Code	Fits Cabinet
BFC018	B18
BFC024	B24



BASE - GARBAGE / RECYCLING

BOTTOM MOUNT CASE MATERIAL RECYCLING

Case matching interior recycling bin pull out.

- Soft-Close
- 90 lb (41 kg) load capacity.

Code	Total Capacity	Fits Cabinet
PORB15	1 x 35 Qt (33 L)	B15
PORB18	2 x 35 Qt (66 L)	B18
PORB21	2 x 35 Qt (66 L)	B21



BOTTOM MOUNT WIRE RECYCLING CENTER

Undermount pull-out frame for customizable recycling center.

- Soft-Close
- 90 lb (41 kg) load capacity.



Code	Total Capacity	Finish	Fits Cabinet
RCBMWG15FHD	1 x 50 Qt (47 L)	Gray	B15FHD
RCBMWC15	2 x 27 Qt (26 L)	Champagne	B15
RCBMWG15		Gray	
RCBMWC18	2 x 35 Qt (66 L)	Champagne	B18
RCBMWG18		Gray	
RCBMWG18FHD	2 x 50 Qt (47 L)	Gray	B18FHD



BOTTOM MOUNT DOVETAIL RECYCLING CENTER

- Soft-Close
- Dovetailed wooden drawer.
- 110 lb (50 kg) load capacity.

Code	Total Capacity	Fits Cabinet
SINGLE		
RCBMW1535	1 x 35 Qt (33 L)	B15
RCBMW1550	1 x 50 Qt (47 L)	B15FHD
DOUBLE		
RCBMW1835	2 x 35 Qt (66 L)	B18
RCBMW2135	2 x 35 Qt (66 L)	B21
RCBMW2150	2 x 50 Qt (47 L)	B21FHD

BASE - GARBAGE / RECYCLING



BOTTOM MOUNT LEGRABOX RECYCLING CENTRE

- Soft-Close
- 135 lb (61 kg) load capacity.

Code	Total Capacity	Finish	Fits Cabinet
RCBMGM15	1 x 35 Qt (33 L)	Dark Gray/Maple	B15
RCBMGW15		Dark Gray/Walnut	
RCBMGM15FHD	1 x 50 Qt (47 L)	Dark Gray/Maple	B15FHD
RCBMGW15FHD		Dark Gray/Walnut	
RCBMGM18	2 x 35 Qt (66 L)	Dark Gray/Maple	B18
RCBMGW18		Dark Gray/Walnut	
RCBMGM18FHD	2 x 50 Qt (47 L)	Dark Gray/Maple	B18FHD
RCBMGW18FHD		Dark Gray/Walnut	



UNO DRIVE / LEGRABOX TIP-ON RECYCLING CENTRE

You want to throw away kitchen waste but you can't open the door because your hands are full. No problem with Uno Drive. Uno Drive is the ideal solution if you want electrical motion support. And Legrabox Tip-On is the mechanical motion support.



Code	Description
UNO	UNO Drive
RCTIPON	Tip-On

COMPOST BIN

- 24 Qt (23 L) compost bin with odor eliminating filter.
- Fits into any 33L bin location.

Code	Total Capacity	Finish
CBG24	24 Qt (23 L)	Green
CBW24		White

LIDS FOR BINS

These lids help reduce bad odors caused by organic waste.

- Lid_33 fits on 33L Bins.
- Lid_47 fits on 47L Bins.

Code	Finish
LIDC33	Champagne
LIDG33	Green
LIDW33	White
LIDW47	White



BASE - GARBAGE / RECYCLING

TOP MOUNT RECYCLING CENTERS

- Soft-Close.
- Load capacity: 110 lb (50 kg)
- Over-Travel undermount synchronized slides. for smooth opening and closing.
- Internal fixed metal lid included.
- Small 15-liter bin comes with individual lid.



15" WIDE CABINET

Code	Bin configuration	Fits Cabinet
RCTMG15	1 x 39 Qt (37 L) + 1 x 16 Qt (15 L)	B15

18" WIDE CABINET

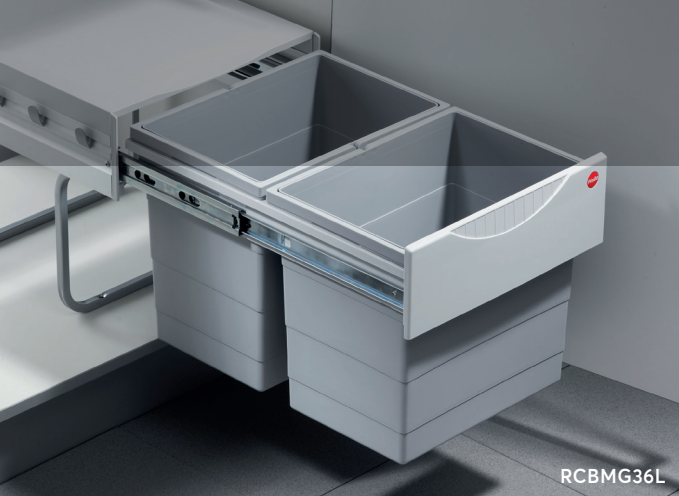
Code	Bin configuration	Fits Cabinet
RCTMG18	2 x 39 Qt (37 L)	B18

21" WIDE CABINET

Code	Bin configuration	Fits Cabinet
RCTMG21	2 x 44 Qt (42 L)	B21

24" WIDE CABINET

Code	Bin configuration	Fits Cabinet
RCTMG24	2 x 44 Qt (42 L)	B24



RCBMG36L



RCBMG35L

BASE - GARBAGE / RECYCLING

BOTTOM MOUNT RECYCLING

Space saver solution featuring a large capacity in a compact size. Designed to make maximum use of cabinet space. Full-extension slides provide total access. Lid can be used as storage shelf and also as hooks to hang multiple items..

- Low height, they are perfect for under-sink cabinets

Code	Total Capacity	Finish	Fits Cabinets
DOUBLE			
RCBMG36L	2 x 19 Qt (2 x 18 L)	Gray	SB33-SB36
TRIPLE			
RCBMG35L	1 x 19 Qt (18 L) + 2 x 9 Qt (2 x 8 L)	Gray	SB33-SB36



BOTTOM MOUNT WASTE BIN

- Trendy dark gray finish
- Full extension slides for full access during opening
- Fixed lid inside to limit the spread of bad odors and offer additional storage space

Code	Total Capacity	Finish	Fits Cabinets
WCP020L	1 x 21 Qt (20 L)	Gray	SB24-SB30



AUTOMATIC DOOR OPENER

- Open the door with only a slight pressure from your foot.

Code	Fits Cabinets
ADO	SB18-SB42



BASE - GARBAGE / RECYCLING

UNDER SINK PULL-OUT RECYCLING SYSTEM

Flexible system using bins with integrated handles which fit onto an anti-slip mat. We have pre-configured sets for a bottom pull-out in a SB30, SB33 and SB36.

You can also customize with individual parts.

- Requires a pull-out or drawer for this system



ANTI-SLIP MAT

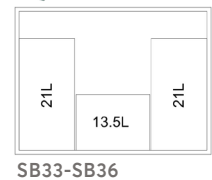
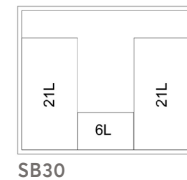
This easy-to-clean base mat features small pegs to keep your bins in place.

Code	Dimensions (W x D)	Finish
MAT124	23-58" x 46-1/2"	Gray

LIDS

Code	Dimensions (W x D)	Finish
LID6L	5-1/2" x 8-1/4"	Grey
LID13L	11" x 8-1/4"	Grey
LID21L	11" x 16-5/8"	Grey

Code	Fits Cabinets
RC12430	SB30
RC12433	SB33-SB36



BINS

Practical handles make bins easy to remove for emptying or cleaning.

Code	Dimensions (W x D x H)	Capacity
BIN6L	5-1/2" x 8-1/4" x 10-7/8"	6 Qt (6 L)
BIN13L	11" x 8-1/4" x 10-7/8"	14 Qt (13 L)
BIN21L	11" x 16-5/8" x 10-7/8"	22 Qt (21 L)



TRIPLE CORNER RECYCLING CENTER

Increase the storage space of your corner cabinets with this recycling center. Three removable bins in white polymer rotate on a 1-inch diameter post. Each bin can hold up to 32 quarts.

- Removable bins pivot 360° for easy access

Code	Fits Cabinet
RRC36	CB36

METAL PIVOTING ROUND BINS

Lid is equipped with a spring and lifts out of the way when the door is opened, preventing waste from spilling out when the bin is full.

- 16 Qt (15 L) Bin requires 17" height.
- 21 Qt (20 L) Bin requires 21" height.

White	Grey	Fits Cabinet
WBPW15(L or R)	WBPG15(L or R)	SB30-SB36
WBPW20(L or R)	WBPG20(L or R)	SB30-SB36



BASE - UNDER SINK SOLUTIONS

THREE-PRONG TOWEL BAR PULLOUT

- Universal brackets for left or right hand mounting
- Holds up to three towels
- Heavy gauge painted metal wire construction

Code	Finish	Fits Cabinets
TBC(R or L)	Chrome	SB18-SB42
TBW(R or L)	White	SB18-SB42



TBC

TBW

UNDER SINK PULL-OUT BASKETS

- Mounts to the lower part of the cabinet.
- Full extension for complete access.
- Comes with dividers to separate the baskets into compartments.
- Baskets can be removed easily.
- SB1 is 7" wide x 15-3/4" H
- SB2 is 11" wide x 15-3/4" H
- SB3 is 11" wide x 20-1/4" H

Code	Fits Cabinets
SB1(R or L)	SB18-SB42
SB2(R or L)	SB18-SB42
SB3(R or L)	SB18-SB42



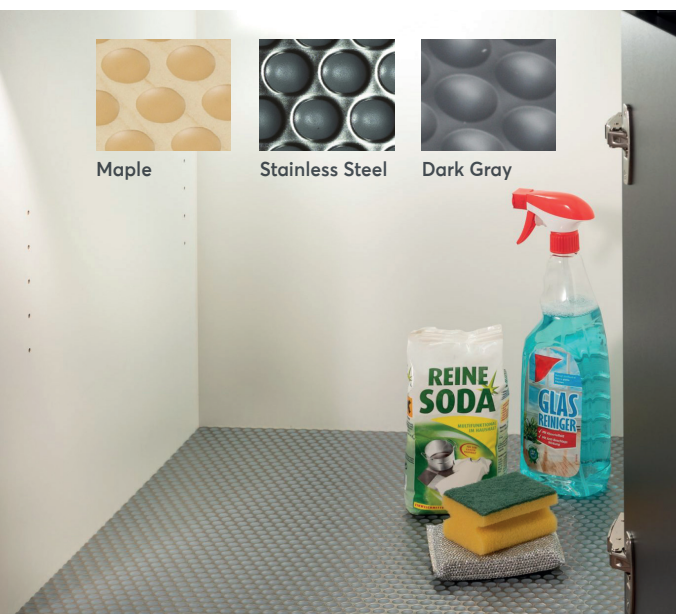
SB3

UNDER SINK MATS

Under sink mat to protect the base of your undersink cabinet from water spills.

- Unique, patented design: indentations in the surface can collect up to 6 liters of liquid per square meter (0.56 liters per square foot)
- Each sheet has a thickness of 2 mm. The plastic/polystyrene material ensures durability and ease of maintenance

Code	Finish	Fits Cabinets
USMM	Maple	SB18-SB45
USMG	Grey	SB18-SB45
USMS	Stainless Steel	SB18-SB45



Maple

Stainless Steel

Dark Gray

BASE - BLIND CORNER SOLUTIONS

POLYMER HALF-MOON SLIDING TRAYS

This two-tray set is equipped with pivoting hardware and features sturdy polymer construction for total durability and easy cleaning.

- Load capacity/tray: 38 lb (17 kg)

Code	Tray Size	Finish	Fits Cabinet
HMW45	31"	White	BBC45
HMW48	33"	White	BBC48



WOOD HALF MOON SLIDING TRAYS

Classic wood half moon organizer for blind corner cabinets. Designed with pivoting and sliding hardware for ease of use.

- 32" = 30 lb (13 kg) / tray load capacity.
- 35" = 46 lb (21 kg) / tray load capacity.
- 38" = 54 lb (25 kg) / tray load capacity.

Code	Tray Size	Finish	Fits Cabinet
HMM42	32"	Maple	BBC42
HMM45	35"	Maple	BBC45
HMM48	38"	Maple	BBC48



MAGIC CORNER BASE STORAGE SOLUTION

Magic Corner is four-basket storage solution for blind corners. When you open the door, the two rear baskets slide laterally to face the opening.

- Each front basket holds up to 15 lb (7 kg) and each rear basket holds up to 20 lb (9 kg)

Code	Door opening	Cabinet width	Door section width	Finish	Fits Cabinet
MCM45R	Right	Min. 36"	Min. 16-1/4"	Maple/ Chrome	BBC45
MCM45L	Left				
MCG45R	Right			Grey/ Chrome	
MCG45L	Left				



BASE - BLIND CORNER SOLUTIONS



LEMANS CORNER BASE STORAGE SOLUTION

Combines an optimal use of space with perfect visibility of the stored items, all with an exceptional opening and closing motion.

- Load capacity/tray: 55 lb (25 kg)

Right Opening	Left Opening	Cabinet width	Door section width	Finish	Fits Cabinet
LEMM17R	LEMM17L	Min. 33"	Min. 17"	Maple	BBC45
LEMM19R	LEMM19L	Min. 34-1/2"	Min. 19"	Maple	BBC45
LEMM21R	LEMM21L	Min. 38-1/2"	Min. 21"	Maple	BBC48
LEMM24R	LEMM24L	Min. 40-1/4"	Min. 24"	Maple	BBC48
LEMA17R	LEMA17L	Min. 33"	Min. 17"	Anthracite	BBC45
LEMA19R	LEMA19L	Min. 34-1/2"	Min. 19"	Anthracite	BBC45
LEMA21R	LEMA21L	Min. 38-1/2"	Min. 21"	Anthracite	BBC48
LEMA24R	LEMA24L	Min. 40-1/4"	Min. 24"	Anthracite	BBC48
LEMG17R	LEMG17L	Min. 33"	Min. 17"	Grey	BBC45
LEMG19R	LEMG19L	Min. 34-1/2"	Min. 19"	Grey	BBC45
LEMG21R	LEMG21L	Min. 38-1/2"	Min. 21"	Grey	BBC48
LEMG24R	LEMG24L	Min. 40-1/4"	Min. 24"	Grey	BBC48



FIORO MAGIC CORNER BASE STORAGE SOLUTION

The perfect solution to make the best use of space in your corner cabinet. Just swing the door and the front shelves to one side and the back shelves automatically slide forward, giving you total access to all the items stored.

- Soft-Close
- Require min. depth: 20-1/2"
- Each front basket holds up to 15 lb (7 kg) and each rear basket holds up to 20 lb (9 kg).
- Finish: Oak/Gray

Right Opening	Left Opening	Min. door section width	Cabinet width required	Fits Cabinet
HINGED MOUNT INSTALLATION				
MCHF45R	MCHF45L	Min. 16-1/4"	40"	BBC45
MCHF48R	MCHF48L	Min. 20-1/4"	48"	BBC48
DOOR MOUNT INSTALLATION				
MCD45R	MCD45L	Min. 16-1/4"	40"	BBC45

BASE - CORNER SOLUTIONS



CHROME KIDNEY LAZY SUSAN

With elevated chrome railings and a non-slip surface material, these pivoting trays are the expression of perfection. The tray diameters provide a large storage capacity.

- Load capacity/tray: 55 lb (25 kg)

Code	Tray Diameter	Finish	Fits Cabinet
LSCG33	28"	Gray/Chrome	CB33
LSCM33		Maple/Chrome	CB36
LSCG36	32"	Gray/Chrome	CB33
LSCM36		Maple/Chrome	CB36

POLYMER KIDNEY LAZY SUSAN

Shelves rotate independently.

- Load capacity/tray: 55 lb (25 kg)

Code	Tray Diameter	Finish	Fits Cabinet
LSP33	28"	White	CB33
LSP36	32"	White	CB36

WOOD KIDNEY LAZY SUSAN

Shelves rotate independently.

- Finish: Maple
- Load capacity/tray: 75 lb (34 kg)

Code	Tray Diameter	Finish	Fits Cabinet
LWLW33	28"	Maple	CB33
LSLW36	32"	Maple	CB36

WOOD KIDNEY SUPER LAZY SUSAN

Set of 2 trays without post. Bottom one is fixed on the floor and the 2nd tray is fixed on the adjustable shelf. Made out of 1/2" plywood with a 1" high maple trim. Trays are covered with a catalysed clear coat to ensure durability and wear resistance.

- Load capacity/tray: 100 lb (45 kg)

Code	Tray Diameter	Finish	Fits Cabinet
SSW28	28"	Maple	CB33
SSW32	32"	Maple	CB36

POLYMER FULL ROUND TRAYS

28" diameter shelves rotate independently.

- Load capacity/tray: 35 lb (16 kg)

Code	Tray Diameter	Finish	Fits Cabinet
RLSW28	28"	White	DBC36



BASE ACCESSORIES - OTHER



TRAY DIVIDER

Fixed tray dividers equally spaced. Constructed of 5/8" material with the same surface finish as the case interior.

Code	Fits Cabinets
FTD	B12-B36



CWO13

CWO21

CHROME BAKEWARE ORGANIZERS

- Finish: Chrome
- Organize platters or baking sheet.
- CWO13 is 3" W x 10" H x 11-7/8" D
- CWO21 is 18" H x 20" D

Code	Fits Cabinets
CWO13	B12-B30
CWO21	B12-B30



HEAVY DUTY APPLIANCE LIFT WITH SOFT-CLOSE

The lifting mechanism turns lifting heavy or awkward appliances into a breeze with its spring-loaded supports.

- Installed inside standard 24" deep base cabinet.
- Includes shelf.
- Load capacity: 60 lb (27 kg)

Code	Available for base	Fits Cabinets
APSC	15", 18" and 21" wide	B15FHD-B21FHD



FSSH



FSSTK

FOLDING STEP STOOL

Practical step stool in a kitchen to get hard to reach stored items in a wall cupboard. Offers a height of 13-3/4" once opened. Thickness of 4" folded.

Code	
FSSTK	Installed in Toe-Kick
FSSH	Installed in cabinet with bracket



TALL ACCESSORIES

DISPENSA PANTRY SYSTEM

This complete pull-out sliding basket system allows you to easily reach any product you store.

- Soft-Close
- Baskets can be adjusted in height according to your needs.
- Finish: Grey / Chrome Basket.
- 220 lb (100 kg) load capacity.

Code	# of baskets	Fits Cabinet
PPOM1263	4	UC12-UC15
PPOM1863	4	UC18
PPOM2163	4	UC21
PPOM1290	8	UC1Z1212-15x84" to 90"
PPOM1890	8	UC1Z1218x84" to 90"
PPOM2190	8	UC1Z1221x84" to 90"

DISPENSA EXTRA BASKET

Code	Fits Cabinet
DEB12	UC12-UC15
DEB18	UC18
DEB21	UC21



WOOD PANTRY SYSTEM

- Soft-Close
- 6 adjustable shelves
- Finish: Maple natural
- 265 lb (120 kg) load capacity.

Code	Fits Cabinet
PPOW09	UC09
PPOW12	UC12
PPOW15	UC15
PPOW18	UC18



TALL ACCESSORIES

FIORO PULL-OUT PANTRY SYSTEM

- Soft-Close
- Access from two sides
- Height adjustable shelves to maximize storage space
- Depth: 19-7/8"
- 220 lb (100 kg) load capacity.

The set includes 4 Fioro pantry shelves with oak railings.

Code	Fits Cabinet
PPOF0663	UC06
PPOF1263	UC12-UC15
PPOF1863	UC18
PPOF2163	UC21
PPOF0689	UC1Z1206x84" to 90"
PPOF1289	UC1Z1212-UC15x84" to 90"
PPOF1889	UC1Z1218x84" to 90"
PPOF2189	UC1Z1221x84" to 90"

FIORO EXTRA PANTRY SHELF

Code	Fits Cabinet
FPB06	UC06
FPB12	UC12-UC15
FPB18	UC18
FPB21	UC21



PANTRY DOOR RACK

- 6 fixed shelves equally spaced 4" deep with front retaining dowel.
- 3-1/4" diameter x 7" high bottle will fit.
- Finish: Maple natural.
- Mounted on door of UC.

Code	Fits Cabinet
UCDR15	UC15" W
UCDR18	UC18" W
UCDR21	UC21" W



VANITY HAMPER

TILT-OUT HAMPER REMOVABLE BASKET

Removable mesh cloth bag that is easy to insert and remove.

- TOHRB18 - 63 Qt (60 L) capacity.
- TOHRB24 - 78 Qt (74 L) capacity.
- TOHRB30 - 85 Qt (81 L) capacity.

Code	Fits Cabinet
TOHRB18	B18
TOHRB24	B24
TOHRB36	B30



TILT-OUT HAMPER BASKET

Creative design keeps laundry out of sight but still easily accessible. Designed to be mounted to a bottom-hinged cabinet door.

- Slide in/Slide out removable chrome hamper
- Basket D x H: 13-1/2" x 19-3/4"
- Chrome

Code	Basket cap.	Fits Cabinet
TOH18	55 Qt (52 L)	V18
TOH24	74 Qt (70 L)	V24

REPLACEMENT SOFT LAUNDRY BASKET

Code	Basket cap.	Fits Basket
SLBT52	55 Qt (52 L)	TOH18
SLBT70	74 Qt (70 L)	TOH24



BOTTOM MOUNT WIRE PULL-OUT HAMPER

- Injection molded polymer plastic designed for durability.
- PHBMW18 - 37 Qt (35 L) capacity.
- PHBMW24 - 75 Qt (71 L) capacity.
- 100 lb (45 kg) full-extension ball bearing slides.

Code	Fits Cabinet
PHBMW18	V18
PHBMW24	V24FHD



VANITY HAMPER

BOTTOM MOUNT METAL PULL-OUT HAMPER

The system features heavy-duty soft closing slides in brushed aluminum that provide exceptional support and stability for a fully adjustable door-mounted frame.

- Soft-Close
- Includes a removable canvas bag with built-in handles.
- Load capacity: Max. 150 lb (68 kg).
- 78 Qt (74 L) capacity.

Code	Fits Cabinet
PHBMA18	V18



BOTTOM MOUNT WOOD PULL-OUT HAMPER

Pull-out polymer hamper with lid with a wooden base soft close.

- Soft-Close
- Load capacity: Max 150 lb (68 kg).
- 56 Qt (53 L) capacity.

Code	Fits Cabinet
PHBMM18	V18



TOP MOUNT PULL-OUT HAMPER

Soft-Close pullout hamper with 2 removable well ventilated bins.

- Soft-Close
- Load capacity: Max 90 lb (41 kg)
- 2 bins 33 Qt (31 L) capacity each.

Code	Fits Cabinet
PHTMP24	B24

VANITY OTHER

VANITY DOOR STORAGE APPLIANCES RACK

Perfect addition to store your hair-dryer, flat and curling iron.

- Mounts simply to many different doors styles with adjustable mounting brackets.
- Bottom shelf offers extra multipurpose storage space.
- Finish: Maple

Code	Fits Cabinet
VDS	SB30



WOOD VANITY DRAWER INSERT

Drawer insert allows you to conveniently access and organize everything.

- Organize your cluttered vanity drawer.
- Offers 13 storage compartments suitable for all your cosmetics.
- Finish: Maple

Code	Fits Cabinet
VDI24	V24



DRAWER PULL-OUT IRONING BOARD

Metal foldaway ironing board.

- Includes ironing board cover

Code	Fits Cabinet
DP0IB18	V18





VANITY OTHER

VANITY ORGANIZER WITH BINS

Designed for full-height vanity base cabinets, this 19"-deep organizer features adjustable shelves and two stainless steel bins to store curling irons and hair dryers. Includes non-skid vinyl shelf liners and clear polycarbonate rails.

- Soft-Close
- Finish: Maple
- 110 lb (50 kg) load capacity.

Code	Fits Cabinet
VBPOB12	V12
VBPOB12FHD	V12FHD

VANITY ORGANIZER

Optimize your storage space with this vanity base pull-out. Includes adjustable shelves with non-skid vinyl liners and clear polycarbonate storage trays for storing everything from bobby pins to shampoo.

- Soft-Close
- Finish: Maple
- 150 lb (68 kg) load capacity.

Code	Fits Cabinet
VB012	V12
VB012FHD	V12FHD



VANITY PULL-OUT FILLER

Optimize your storage space with this groundbreaking pull-out filler with adjustable shelves to keep all of your items organized.

- Soft-Close
- Finish: Maple
- 100 lb (45 kg) load capacity.

Code
VFPO3VHD
VFPO3BHD
VFPO6VHD
VFPO6BHD





THE TRIANGLE DIFFERENCE

Choosing Triangle Kitchen isn't about just selecting a door style or wood species. It's about designing a kitchen that works as hard as you do, with distinctive touches that complement your individual style. With quality guaranteed, you can let your imagination run wild and create the kitchen you've always dreamed of. Whether you want to dazzle your guests with sleek contemporary designs or timeless classics Triangle offers virtually unlimited choices to complement the architecture of a home and a homeowner's sense of style.

The Triangle Difference is our hands-on craftsmanship. We produce 95% of our own doors, allowing us to carefully select the best materials available in order to deliver the highest quality product. All of this is backed by our superior warranty*.

***For warranty details please visit our website - www.trianglekitchen.com**



679 Babin St., Dieppe, NB, E1A 5M7 Canada
Toll Free: 1-800-563-5482 • Tel: (506) 858-5855 • www.trianglekitchen.com

© Triangle Kitchen. All Rights Reserved. Specifications subject to change without notice.



SCAN QRCode
Download PDF
Brochure



Note: Actual appearance of products presented in this brochure may vary due to commercial printing limitations, variations in lighting and the natural aging properties of woods and finishes. In order to view true door & finish samples, please visit your authorized dealer.